



ECO **FTS-R III**

FREE SWING DOOR CLOSER
WITH SMOKE DETECTOR FOR ADDED
SAFETY AND COMFORT

■ SYSTEM TECHNOLOGY FOR THE DOOR





FOR YOUR SAFETY AND COMFORT

FTS-R II ECO

FREE SWING DOOR

CLOSER



ECO is launching the **FTS-R III** for use as a hold-open system with free swing function. This tested (EN 1155) and approved (DIBt type approval) hold-open system consists of the ECO **FTS III** and the new ECO **R III** slide rail with integrated smoke detector. The **FTS** and ECO **R III** can be connected internally or surface-mounted.

AREAS OF APPLICATION



Kindergartens and schools

For young children, operating large fire doors with door closers can often be challenging. In some cases, the opening forces required can exceed 50 Nm.

With the ECO **FTS-R III**, the opening forces of the self-closing mechanism (spring) are entirely eliminated, allowing the door to be moved with ease. The resulting door opening forces are then significantly below 25 Nm.



Old people's homes and care facilities

The same operational issues associated with heavy fire doors exist for the older generation as much as they do for kindergarteners. And then, of course, additional limitations posed by mobility aids such as wheelchairs and walkers also have to be factored in. This has resulted in free swing door closers becoming a standard feature in care facilities. In this context, ECO not only raises the bar in terms of functionality, but also introduces a fresh aesthetic dimension.



Hospitals and clinics

Have you ever tried to go through a large door with a door closer while negotiating a broken leg and crutches? Well it's pretty much impossible on your own.

This is where the ECO **FTS-R III** free swing door closer and the ECO **ETS 64-R** swing door drive offer the perfect solution. Depending on the architect's design concept, ECO Schulte has all bases covered. Just ask our project consultants to find out more.



Entrances and exits in multi-family homes

Many building authorities in Germany prescribe a smoke-proof or smoke-tight door complete with self-closing mechanism according to EN 1154 for residential entrance doors in stairwells.

When you're armed with your weekly shopping, trying to negotiate a doorway that is permanently closed by the door closer is no mean feat. This is where free swing door closers come in very handy.

With the ECO **FTS-R III**, ECO Schulte offers an ideal solution that can be assembled on both the hinge and opposite hinge side of the door. Assembled on the outside, the service team can check and maintain the system without the tenant having to be present.

BENEFITS

A normally open contact for (almost) all mounting

DIN left = DIN right

Hinge side = opposite hinge side

Door leaf installation = frame installation (not for ECO R II)

Single- and double-leaf versions



Versatile

Suitable for combination with single-leaf slide rails:

GS HF or **ECO-R III** (from page 8) or double-leaf

slide rails:

ECO SR III, **SR-R III** or **SR EFR III** (from page 14).



Uniform ECO Newton design

The perfect aesthetic match for the

ECO **Newton** door closer series. Vandalism-proof

U-Click cover made of stainless steel, matt brushed.



Stainless steel full cover

Optional stainless steel full cover for
closer body and slide rail



Well-conceived assembly system

Simple installation with concealed mounting plate
and prefabricated plug-in connections.



Combined packaging

Combined packaging for the set comprising: ECO

FTS III free swing door closer, mounting plate,
lever arm, slide rail, cable connection with connection
box and mounting accessories.



ECO FTS-R III

AWARD-WINNING BARRIER-FREE DESIGN ICONIC AWARD 2023



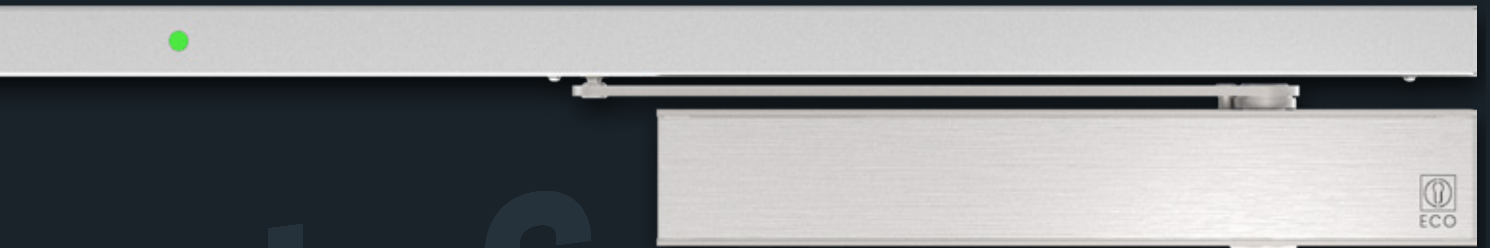
The FTS III has been formally recognised with the ICONIC AWARD: Innovative Interior 2023. This award is presented for significant contemporary developments as well as exceptional design achievements.

It just so happens that the FTS III ticks both boxes:

In addition to its functional qualities that enhance barrier-free accessibility and safety, the FTS III stands out with its sleek design featuring a uniform aesthetic.

As a part of ECO Schulte's system technology for the door, the FTS III blends seamlessly into any door designs for care homes, kindergartens, hospitals – wherever doors require a lower application of force and a high level of security.

Furthermore, as the FTS-R III, the free swing door closer also includes the smoke detector function, ensuring safety in all sensitive living and working areas.



ECO FTS-R III IN SPECIAL APPLICATIONS

With the ECO **FTS-R III**, ECO is launching a new hold-open system on the market, designed to provide optimal operational convenience and barrier-free accessibility for use in various settings.

The ECO **FTS-R III** covers both DIN-L and DIN-R options, as well as hinge side and opposite hinge side. In combination with the ECO **SR-(EF)R III**, the ECO **FTS III** can also be used on double-leaf doors. The connecting cable to the ECO **FTS III** can be surface-mounted or invisibly mounted (concealed cable connection).

The free swing function is activated from the first de-

gree of opening angle, so that the door only needs to be opened once to the desired angle. After that, the door can be moved freely without any annoying resistance (door opening torques below 25 Nm – **DIN EN 18040**).

The hold-open system can be triggered by the integrated smoke detector, an on-site fire alarm system, an additional manual switch, or by switching off the 230 V supply voltage (power failure). Furthermore, the ECO **FTS-R III** can also be integrated with the wireless **FM-155-F** system, for seamless communication with the **ORS 155-F** wireless smoke detectors and the **HAT 155-F** wireless manual switch.

Standards

EN 1154 EN 1155 F CE

Benefits / USPs

- ECO FTS-R III free swing door closer with continuous SK **EN 3 – 6**, tested and certified according to **EN 1154** and **EN 1155**.
- For use on FS/RS doors, especially for the construction of accessible buildings as per **DIN EN 18040**.
- Approved as a hold-open system by the DIBt (design certification).
- An ECO **FTS-R III** model for door leaf installation:
DIN-L = DIN-R
Hinge side = opposite hinge side
- Special model for frame installation (ECO **FTS III** + GS-HF + ECO RSZ III + optional adapter plate).
- Suitable for use in combination with ECO **SR-R (BG) III** or ECO **SR-EFR (BG) III** – even for 2-leaf **FS/RS** doors. The ECO **TS-62(G)**, **TS-61(G)** and **TS-41/31** can all be used as a door closer on the SF.
- Prefabricated assembly groups enable simple, fast and fault-free installation.
In the case of new constructions: Aesthetically pleasing installation with concealed cable duct (on-site door device required).
- In the case of retrofits or renovations: Option for installation with surface-mounted cable connection.
- Height-adjustable ECO **R III** slide rail, adjusting range of ± 3 mm.
- Slide rail flush with **FTS III** body for an elegant finish (hinge side only).
- Free swing function: from 1-180°.
- Integrated smoke control centre with automatic alarm reset after 10 seconds.
- Compatible with wired ORS-142 and TDS 247 ceiling detectors.
- Approved for use with the FM-155-F / ORS-155-F / HAT radio smoke system

Suitable for the following door types



Wooden door



Steel door

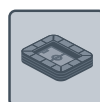


Profile door

Suitable for the following building types



Health






Public



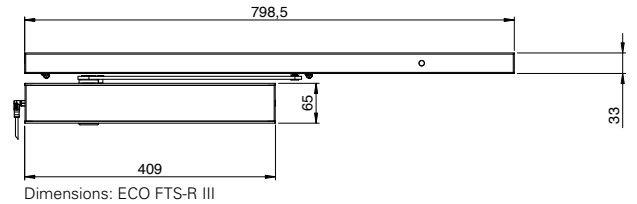
Educational



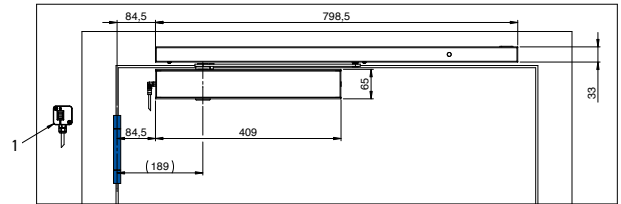
Office

Performance criteria		
Door width acc. to EN	≤ 1,400 mm	3 – 6
Dimensions (incl. mounting plate)	Length in mm	409
	Depth in mm	51.5
	Height in mm	65
Supply voltage		230 V AC
Mounting types DIN-L = DIN-R	DIN-L = DIN-R	■
	Hinge side = opposite hinge side	■
	Standard installation	■
	Frame installation	□
Latching speed (continuously adjustable)		■
Closing speed (continuously adjustable)		■
Door opening angle		up to 180°
Free swing function can be activated		1 - 180 °
Protection class		IP 20
Tested to EN standards		EN 1154
		EN 1155
Suitable for fire and smoke control doors DIBt approval with design certification		F
Certified according to EU regulations		CE
	Wooden door	
	Steel door	
	Profile door	

- Yes
- No
- Optional

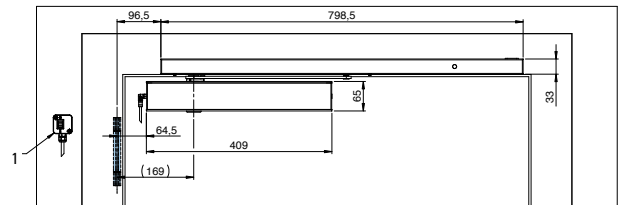


Hinge side installation



1 - optional cable box for surface-mounted cabling

Opposite hinge side installation



1 - optional cable box for surface-mounted cabling



ECO FTS-R III (shown with surface-mounted cable connection)

Standard:

FTS body, lever arm and slide rail in silver RAL 9006; Cover: stainless steel, matt

RAL 9016/RAL 9005:

FTS body, lever arm, cover and slide rail in RAL painted, matt

Stainless steel:

FTS body with ER hood matt, lever arm and slide rail in stainless steel, matt

Technical data

ECO FTS-R III (EN 3 – 6)

Door closer with electromechanical free swing function and integrated smoke control centre

- **Controlled via:** smoke control centre integrated into the ECO R III slide rail
- **Hold-open point:** 1–180° (free swing function)
- **Connection:** 230 V AC, 50 Hz, ±10%
- **Power consumption:** 8.3W continuous / max. 32W (136 mA)
- **Installation:** DIN-L = DIN-R, hinge side = opposite hinge side
- **Area of application:** -15 to +45°, max. relative humidity: 95%
- **Protection class:** IP 20
- **Slide rails:** ECO R III

Tender text for ECO FTS-R III set

Slide rail door closer with free swing function with adjustable closing force **EN 3 – 6**
 For use on single-leaf FS/RS doors up to 1,400 mm
 Certified according to **EN 1155**
 TS aluminium design body with integrated, invisible mounting plate
 Stainless steel cover with vandalism-proof clip technology
 Closing speed and latching speed continuously adjustable
 Opening angle max. 180°, free swing function 1–180°
 Temperature range from -15 to +45°
 Max. 95% relative humidity

With free swing lever and height-adjustable ECO RIII slide rail
 Optional mounting options: concealed or surface-mounted cable duct
 One model for all mounting types:
 DL=DR, hinge side = opposite hinge side
 Surface:
 () Silver RAL 9006 (cover: stainless steel, matt)
 () White RAL 9016
 () Choice of RAL ...
 () Stainless steel, matt

The system overview

Single-leaf systems

Designation	Tests	Function	Max. leaf width	Max. opening angle	Max. hold-open angle	Mounting type
ECO FTS III (3-6)	F / CE	Free swing door closers	1,400 mm	180 °	–	BS / BG
ECO R III	F / CE / DIBt	Slide rail with integrated RSZ, 230 V	1,400 mm	180 °	–	BS / BG
ECO GS-HF	F / CE	Slide rail for FTS III (separate RSZ required)	1,400 mm	180 °	–	BS / BG
ECO RSZ III	F / CE / DIBt	Smoke control centre for FTS III	–	–	–	BS / BG

Article numbers for free swing door closers with lever arm / slide rail



without slide rail	Colour	Art. no.
ECO FTS III (3-6)	Silver RAL 9006	5030064770
ECO FTS III (3-6)	White RAL 9016	5030064769
ECO FTS III (3-6)	Black RAL 9005	5030065206
ECO FTS III (3-6)	Stainless steel	5030065595



with GS-HF slide rail	Colour	Art. no.
ECO FTS III GS-HF (3-6)	Silver RAL 9006	5030064525
ECO FTS III GS-HF (3-6)	White RAL 9016	5030064771
ECO FTS III GS-HF (3-6)	Black RAL 9005	5030065203
ECO FTS III GS-HF (3-6)	Stainless steel	On request



with slide rail and ECO-R III	Colour	Art. no.
ECO FTS-R III (3-6) set	Silver RAL 9006	5030067888
ECO FTS-R III (3-6) set	White RAL 9016	5030067889
ECO FTS-R III (3-6) set	Black RAL 9005	On request
ECO FTS-R III (3-6) set	Stainless steel	5030067387



ECO-R III slide rail	Colour	Art. no.
ECO-R III (3-6)	Silver RAL 9006	5030067714
ECO-R III (3-6)	White RAL 9016	5030068349
ECO-R III (3-6)	Black RAL 9005	5030068350
ECO-R III (3-6)	Stainless steel	5030065596

ECO RSZ III order numbers in Accessories on page 19.

Standard installation



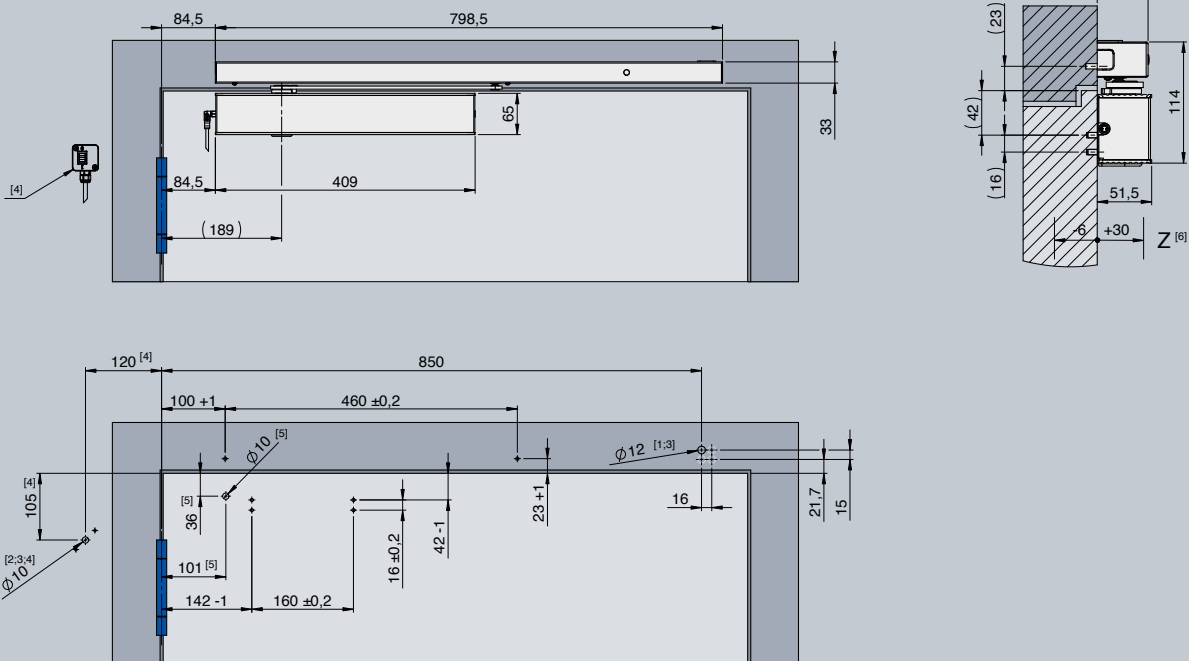
ECO FTS-R III (STANDARD INSTALLATION)

ECO is launching the FTS-R III for use as a hold-open system with free swing function. This tested (**EN 1155**) and approved (DIBt type approval) hold-open system consists of the ECO FTS III and the new ECO R III slide rail with integrated smoke detector. The FTS and ECO R III can be connected internally or surface-mounted.

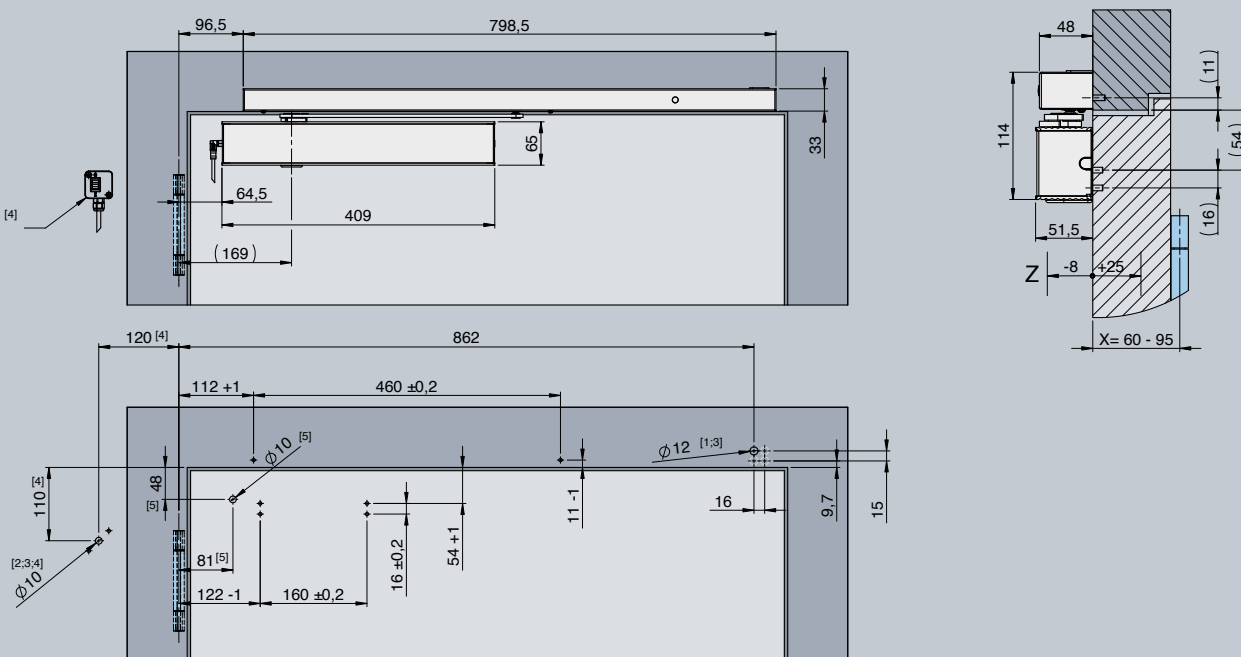
The standard installation of ECO FTS-R III covers both DIN-L and DIN-R options, as well as hinge side and opposite hinge side, meaning only one version is ever needed. This not only saves storage capacity but also eliminates the possibility of incorrect orders.

Installation example

DIN-L hinge side



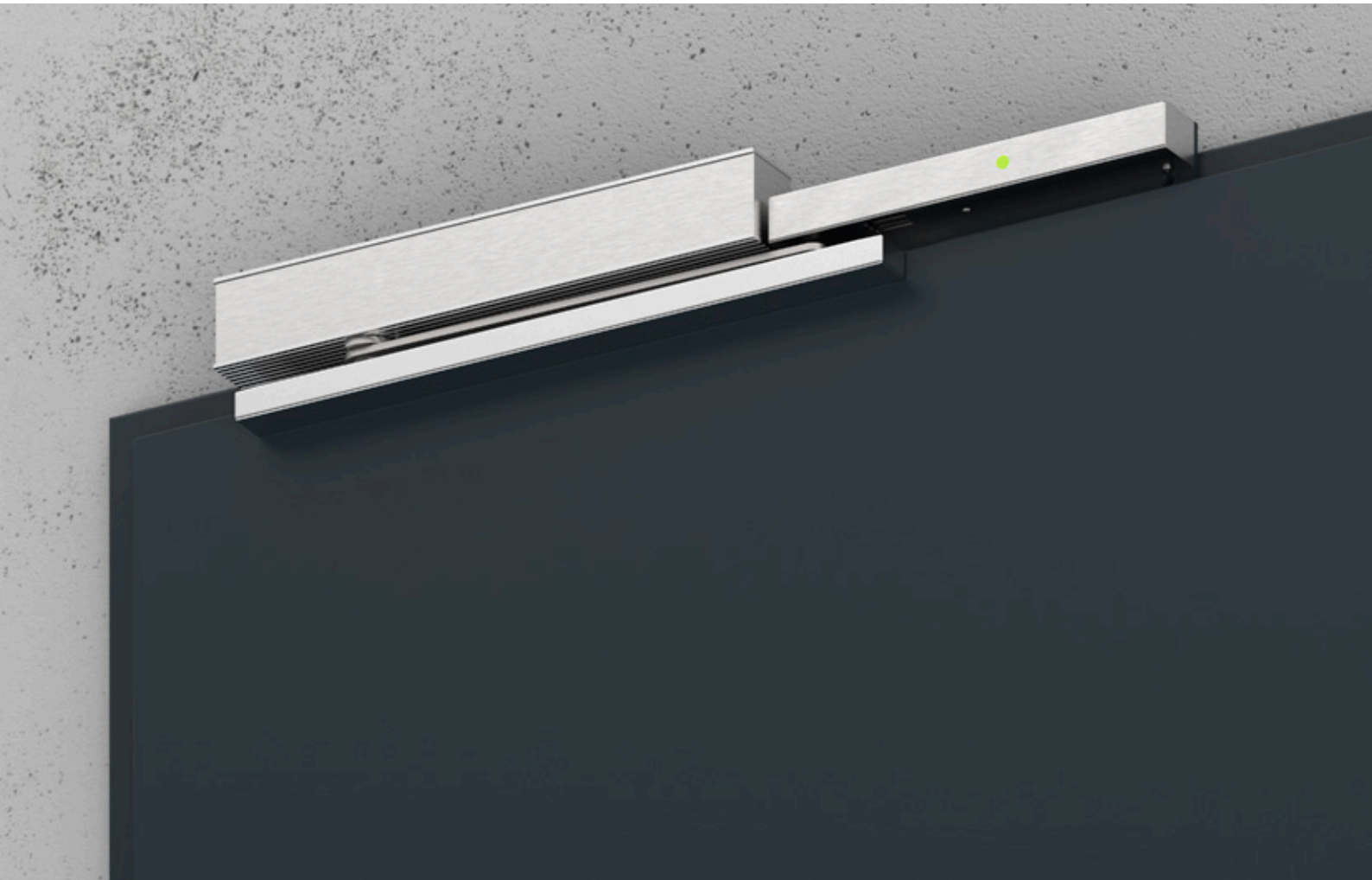
DIN-R opposite hinge side



Concealed cable routing (e.g. for new construction projects)

Optional surface-mounted cable routing (e.g. for retrofits and renovations)

Frame installation

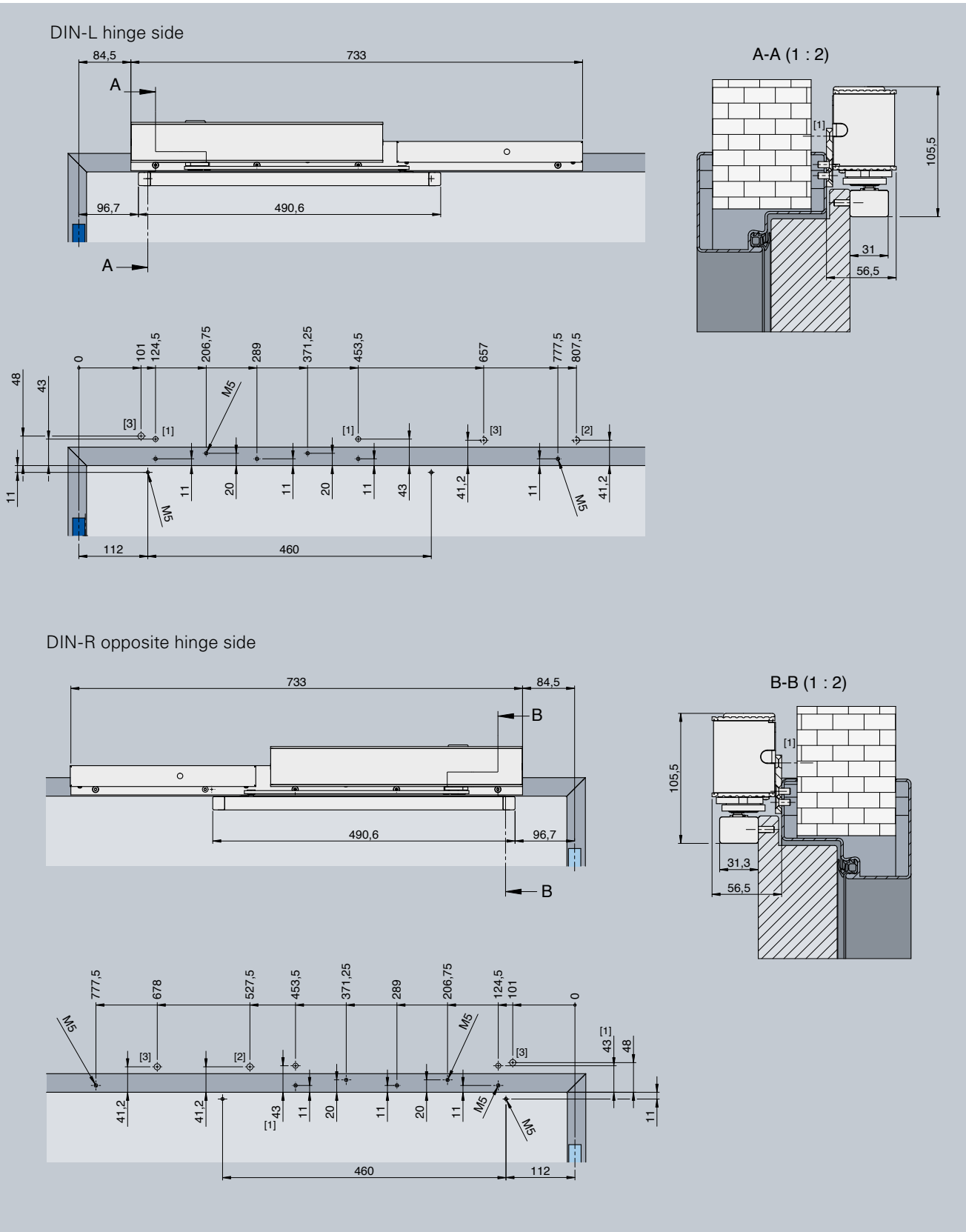


ECO FTS III / ECO RSZ III (FRAME INSTALLATION)

For frame installation, ECO has developed a version comprising the ECO FTS III and the ECO RSZ III, both assembled on a specially adapted mounting plate for frame installation. The ECO GS-HF is assembled on the door leaf. All cable connections are concealed, eliminating any visible transition to the door leaf.

The individual products feature complementary colours to enhance the overall aesthetic:
 Painted in RAL 9006, 9016 or 9005, or manufactured entirely from stainless steel, matt brushed.


Installation example




Concealed cable routing (e.g. for new construction projects)

Optional surface-mounted cable routing (e.g. for retrofits and renovations)


Performance criteria		SR III (SR BG III)	SR-R III	SR-EFR III (1S)
		Door coordinator (separate RSZ III required)	Door coordinator with integrated RSZ, 230 V	Door coordinator with integrated RSZ and hold- open function on the SF, 230 V
Door width acc. to EN	≤ 1,400 mm	3 – 6 (3 – 5)	3 – 6	3 – 6
Hinge gap		2,800 mm (2,500 mm)	2,800 mm	2,800 mm
Dimensions (incl. mounting plate)		31 x 21 mm	64 x 34 mm	64 x 34 mm
Supply voltage		–	230 V AC	230 V AC
Mounting types		DIN-L = DIN-R Hinge side (Opposite hinge side)	DIN-L DIN-R Hinge side –	DIN-L DIN-R Hinge side –
Door opening angle		up to 180° (up to 130°)	up to 180°	up to 180°
Hold-open angle		–	–	SF: up to 130°
Protection class		IP 20	IP 20	IP 20
Smoke control centre		separate ECO RSZ III	integrated	integrated
Tested to EN stan- dards		DIBt EN 1158	DIBt EN 1158	DIBt EN 1158 EN 1155
Suitable for fire and smoke control doors DIBt approval with design certification		F	F	F
Certified according to EU regulations		CE	CE	CE



Wooden door

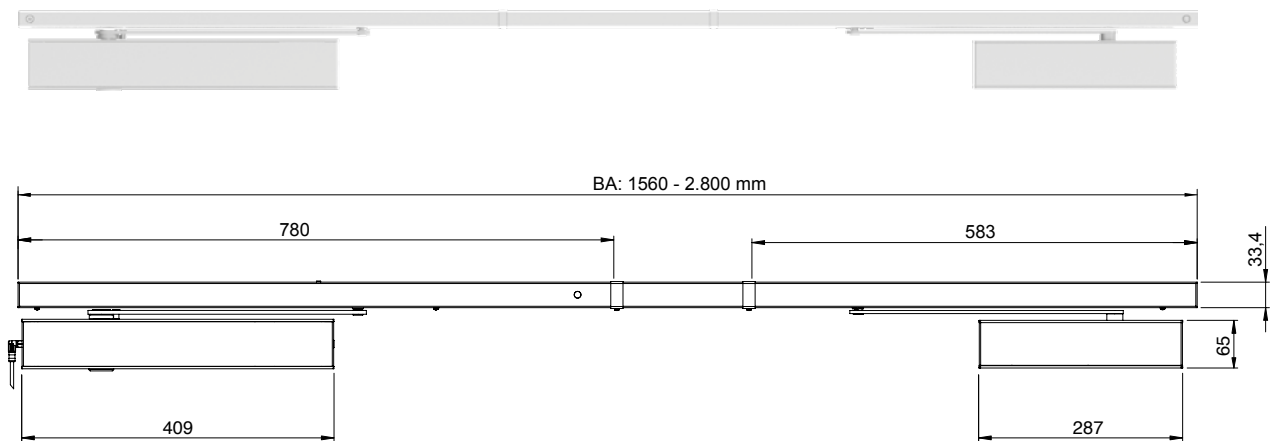


Steel door



Profile door

- Yes
- No
- Optional



Dimensions: ECO FTS-SR-R III

Technical data

ECO FTS-SR-R III (EN 3 – 6)

Door closer with electromechanical free swing function and integrated smoke control centre for double-leaf doors

- **Controlled via:** smoke control centre integrated into the ECO SR-R III slide rail
- **Hold-open point:** 1–180° (free swing function)
- **Connection:** 230 V AC, 50 Hz, ±10%
- **Power consumption:** 2.7 W (114 mA)
- **Installation:** DIN-L or DIN-R (please specify when ordering)
- **Area of application:** -15 to +45°, max. relative humidity: 95%
- **Protection class:** IP 20
- **Slide rails:** ECO SR III, ECO SR-BG III, ECO SR-R III, ECO SR-EFR-1S III, ECO SR-EFR III.

Suitable for the following door types



Wooden door



Steel door



Profile door

Suitable for the following building types



Health



Public



Educational



Office

Tender text for ECO FTS-R III set

Slide rail door closer with free swing function on the active leaf with adjustable closing force **EN 3 – 6**
 For use on single-leaf FS/RS doors up to 1,400 mm
 Certified according to **EN 1155**
 TS aluminium design body with integrated, invisible mounting plate
 Stainless steel cover with vandalism-proof clip technology
 Closing speed and latching speed continuously adjustable
 Opening angle max. 180°, free swing function 1–180°
 Temperature range from -15 to +45°
 Max. 95% relative humidity
 With free swing lever. Installation with concealed or surface-mounted cable duct.

Door closer for the SF:

- () ECOTS-61 (3-6)
- () ECOTS-61 G (3-6)
- () ECOTS-62 (2-5, DIN SPEC 1104)
- () ECOTS-62 G (2-5, DIN SPEC 1104)

Surface:

- () Silver RAL 9006 (cover: stainless steel, matt)
- () White RAL 9016
- () Choice of RAL ...
- () Stainless steel, matt

Double-leaf slide rails:

- () ECO SR III + ECO RSZ III
- () ECO SR-BG III + ECO RSZ III
- () ECO SR-R III
- () ECO SR-EFR-1S III
- () ECO SR-EFR III

The system overview

Double-leaf systems

Designation	Tests	Function	Max. leaf width	Max. opening angle	Max. hold-open angle	Mounting type
ECO SR III	F / CE	Door coordinator	2,800 mm	180 °	–	BS
ECO SR BG III	F / CE	Door coordinator	2,500 mm	130 °	–	BG
ECO SR-R III	F / CE / DIBt	SR with integrated RSZ, 230 V	2,800 mm	180 °	–	BS
ECO SR-R BG III	F / CE / DIBt	SR with integrated RSZ, 230 V	2,500 mm	130 °	–	BG
ECO SR-EFR 1S III	F / CE / DIBt	SR with integrated RSZ and hold-open function on the SF, 230 V	2,500 mm	180 °	130 °	BG

Article numbers


Free swing door closer with lever arm, without slide rail (for combination with ECO SR (BG) III)	Colour	Art. no.
ECO FTS III (3-6)	Silver RAL 9006	5030064770
ECO FTS III (3-6)	White RAL 9016	5030064769
ECO FTS III (3-6)	Black RAL 9005	5030065206
ECO FTS III (3-6)	Stainless steel	5030065595


Slide rails (without hold-open device)

Designation	Colour	Installation	DIN	Art. no.	Installation	DIN	Art. no.
ECO SR III	Silver RAL 9006	BS	DL = DR	5030051094	BG	DL = DR	5030056279
ECO SR III	White RAL 9016	BS	DL = DR	5030050928	BG	DL = DR	5030056282
ECO SR III	Black RAL 9005	BS	DL = DR	5030049725	BG	DL = DR	5030056283
ECO SR III	Stainless steel	BS	DL = DR	5030051547	BG	DL = DR	5030056462


Slide rails with integrated RSZ (without hold-open device)

Designation	Colour	Installation	DIN	Art. no.	DIN	Art. no.
ECO SR-R III	Silver RAL 9006	BS	DL	5030054433	DR	5030054450
ECO SR-R III	White RAL 9016	BS	DL	5030056143	DR	5030056146
ECO SR-R III	Black RAL 9005	BS	DL	5030056145	DR	5030056148
ECO SR-R III	Stainless steel	BS	DL	5030053698	DR	5030056149

Slide rails with integrated RSZ (with hold-open device in SF)

Designation	Colour	Installation	DIN	Art. no.	DIN	Art. no.
ECO SR-EFR-1S III	Silver RAL 9006	BS	DL	5030068400	DR	5030068401
ECO SR-EFR-1S III	White RAL 9016	BS	DL	On request	DR	On request
ECO SR-EFR-1S III	Black RAL 9005	BS	DL	On request	DR	On request
ECO SR-EFR-1S III	Stainless steel	BS	DL	On request	DR	On request

Order example:

(double-leaf door, BA 2,800 mm, hinge side assembly, DIN-L, with narrow frame mirror.

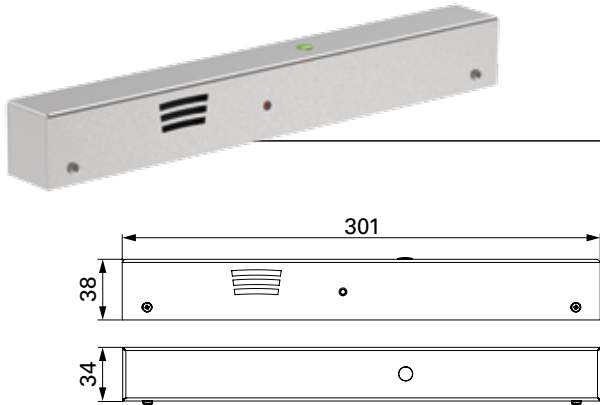
Free swing function on GF and hold-open device on SF, RAL 9006, lintel height above 1 m)

1 x ECO FTS III RAL 9006	5030064770
1 x ECO TS-61 (3-6) RAL 9006	5030064687
1 x ECO SR-EFR-1S III DIN-L RAL 9006	5030068400
1 x manual switch set with AM 142	5030055354
1 x ORS 142 set (ceiling detector)	5030042530
1 x ADP 30 SR-EFR set	5030052701



PHOENIXWERK

SHA
SCHAFFHAUSEN
UNIVERSITÄT

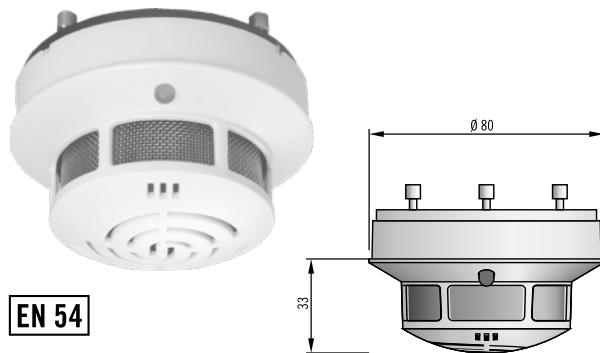


ECO RSZ III

External smoke control centre for controlling the ECO hold-open devices **EF, EF-BG, SR-EF, SR-EF-BG, ITS-EF** and **ITS-SR-EF** and the **THM** magnetic clamp for doors (see p. <?>). Comprising smoke switch, power supply unit, release button and continuous cover.

- **Nominal input voltage:** 230 V AC, 21 VA
- **Nominal output voltage:** 24 V DC
- **Nominal output current:** 460 mA

Smoke control centre	Colour / material	Art. no.
ECO RSZ III	Silver RAL 9006	5030051344
ECO RSZ III	White RAL 9016	5030052058
ECO RSZ III	Stainless steel	5030051343



ORS 142 ceiling-mounted smoke switch

- **with optional line monitoring as per DIN EN 14637**
- **Smoke detection:** as per EN 54, part 7,
- **Temperature:** 70°C
- **Operating voltage:** 18–28 V DC
- **Current consumption:** at 28 V DC, quiescent 22 mA
alarm 11 mA, fault 16 mA
- **Relay contact:** Opener
- **Protection class:** IP 42
- **Temperature range:** -20 to +60°C

Ceiling-mounted smoke switch	Colour	Art. no.
ORS 142 ECO	White RAL 9010	5030062284



ORS 142 set

- **with optional line monitoring as per DIN EN 14637**

Set comprising:

- **2 x ORS 142**
- **2 x 143 A sockets**
- **Magnet switch (red) to optionally activate the line monitoring**

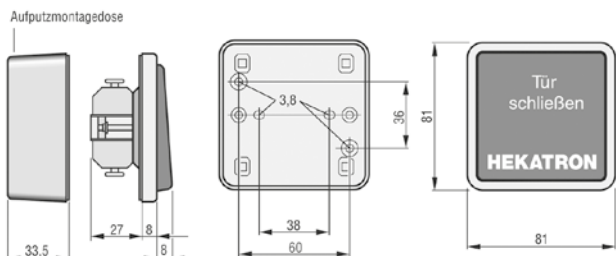
Ceiling-mounted smoke switch	Colour	Art. no.
ORS 142 set	White RAL 9010	5030042530



HAT 02

Manual release button for installation in dry rooms, for manual release of hold-open devices in accordance with DIBt guidelines.

- **Installation:** Surface-mounted/flush-mounted
- **Contact type:** Opener
- **Switching voltage:** Max. 30 V DC
- **Switching current:** Max. 1 A
- **Protection class:** IP 20
- **Note:** For use with line monitoring in accordance with EN 14637 (e.g. for ECO FSA III), the **AM 142** terminating module must also be ordered.



Manual release button	Art. no.
HAT 02	5030000748
AM 142	5030015352
HAT 02 + AM 142 set	5030055354

ECO Schulte GmbH & Co. KG

Iserlohner Landstraße 89
58706 Menden, Germany

Telephone +49 2373 9276 - 0

Fax +49 2373 9276 - 40

info@eco-schulte.de

www.eco-schulte.de

Your company details

Further information available at:



■ SYSTEM TECHNOLOGY FOR THE DOOR

