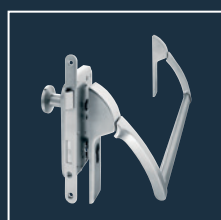
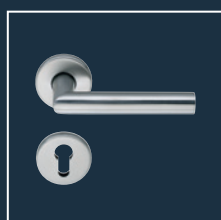
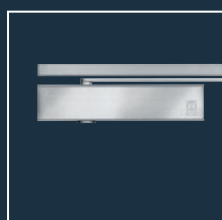


Handle sets for bathroom doors and sanitary partitions (Stainless steel)

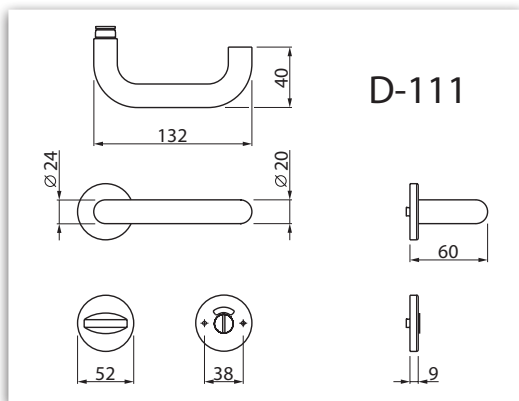
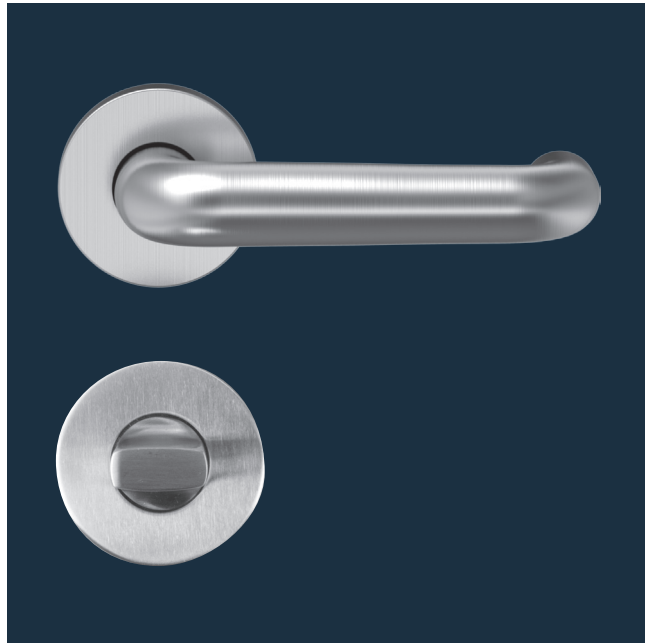
Product information



■ SYSTEM TECHNOLOGY FOR THE DOOR



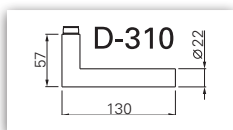
Product characteristics		
Utilization category class		-
Lever diametre	19 mm	■
Steel base		■
Lever with fixable bearing		■
Spindle	7 mm	□
	8 mm	■
	8,5 mm	□
Concealed, continuous screw connection		■
■ Yes - No □ on request		



Description

- Available for all common partition wall-/ door thicknesses
- Complete with WC lock and red / white indicator
- Appropriate drill template available, (Art.-No. 930317)
- Square spindle inset in handle

Dimensioning




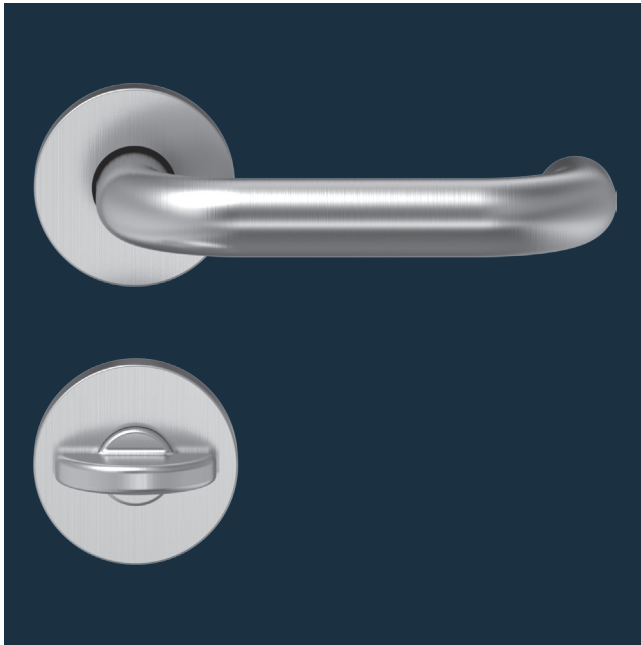
EN 1906

BGL
Zertifizierte Qualität

ER



Handle	Article number	Form	∅	Slit knob	Material
D-111.ER.10.WC	176516.46	U-Form	8 mm		Stainless steel
D-310.ER.10.WC	176519.46	CL-Form	8 mm		Stainless steel



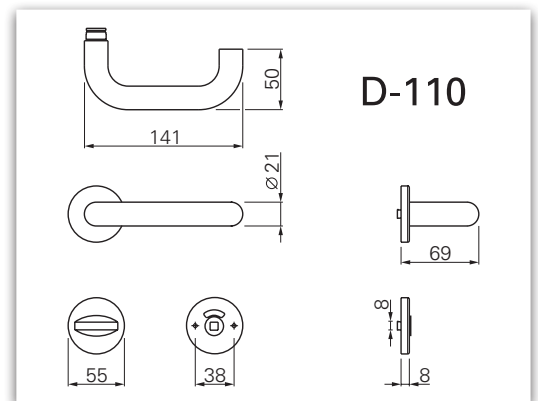
Product characteristics

Utilization category class 3	EN 1906	■
Maintenance free lever guidance		■
Lever diametre	21 mm	■
Nylon base with positioning studs		■
Lever with fixable bearing		■
Spare spindle	7 mm	-
	8 mm	■
	8,5 mm	-
Concealed, continuous screw connection		■

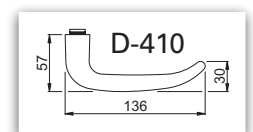
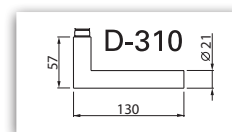
■ Yes - No □ on request


Description

- Available for all common partition wall-/ door thicknesses
- Complete with WC lock and red / white indicator
- Emergency opening via 8 mm external spindle
- Coin opening slot on request
- Also available BB, PZ and lever/knob version
- Appropriate drill template available, (Art.-No. 930317)
- Fixable bearing with restoring spring
- Surface: Stainless steel matt brushed

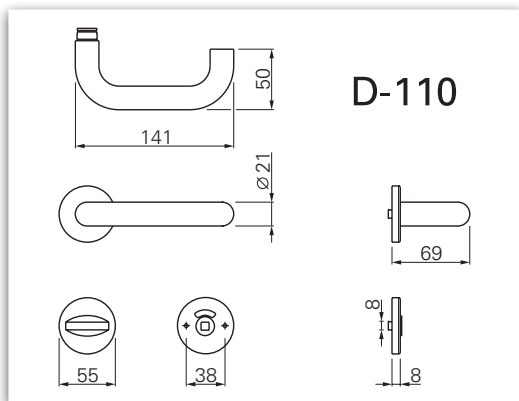
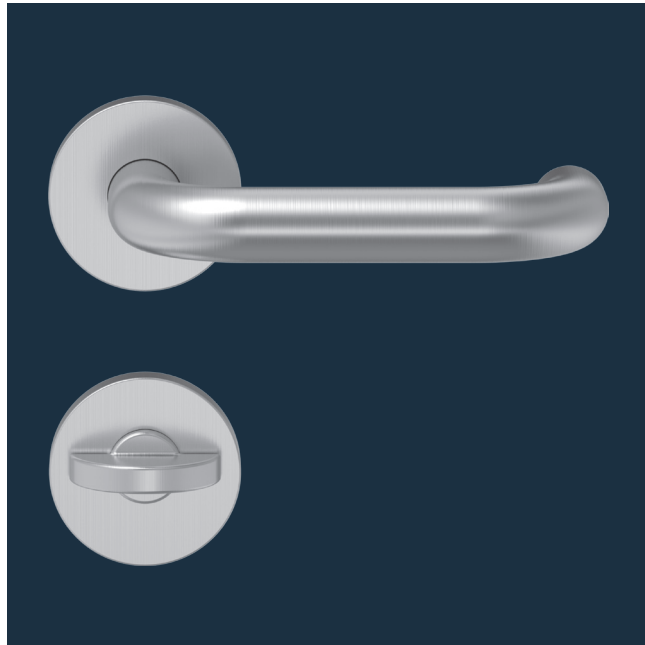


Dimensioning



Handle	Article number	Form	∅	Outer square	Material
D-110.ER.12.WC	152520.46	U-Form	8 mm		Stainless steel
D-310.ER.12.WC	152720.46	CL-Form	8 mm		Stainless steel
D-410.ER.12.WC	152d20.46	U-Form	8 mm		Stainless steel

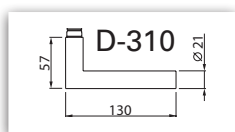
Product characteristics		
Utilization category class 4	EN 1906	■
Maintenance free lever guidance		■
Lever diametre	21 mm	■
Steel base with positioning studs		■
Lever with fixable bearing		■
Spare spindle	7 mm	-
	8 mm	■
	8,5 mm	-
Concealed, continuous screw connection		■
■ Yes - No ■ On Request		



Description

- Available for all common partition wall-/ door thicknesses
- Complete with WC lock and red / white indicator
- Emergency opening via 8 mm external spindle
- Coin opening slot on request
- Also available BB, PZ and lever/knob version
- Appropriate drill template available, (Art.-No. 930317)
- Fixable bearing
- Surface: Stainless steel matt brushed

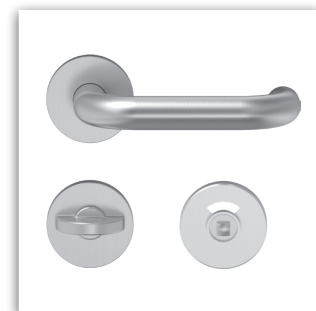
Dimensioning




EN 1906

OGG
Zertifizierte Qualität

ER



Handle	Article number	Form	∅	Outer square	Material
D-110.ER.13.WC	156520.46	U-Form	8 mm		Stainless steel
D-310.ER.13.WC	156720.46	CL-Form	8 mm		Stainless steel

ECO Schulte GmbH & Co. KG
Iserlohner Landstraße 89
D - 58706 Menden

Telefon: +49 2373/9276-0
Fax: +49 2373/9276-40

info@eco-schulte.de
www.eco-schulte.de

© ECO Schulte GmbH & Co. KG - Änderungen vorbehalten
© ECO Schulte GmbH & Co. KG - Subject to change