

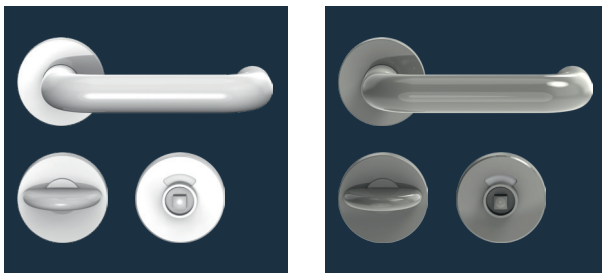
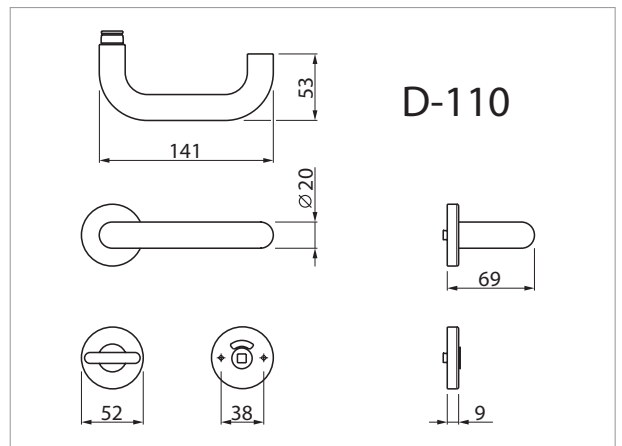


Product characteristics

Use category		
Continuous steel core in lever handle		■
Lever handle diameter	20 mm	■
Nylon substructure with support cams		■
Lever handle with fixed bearing		
Square pin	7 mm	□
	8 mm	■
	8.5 mm	□
Concealed, continuous screw connection		■
■ Yes - No □ On request		

Product description

- Available for all common panel and door thicknesses
- Complete with WC escutcheon and red/white indicator
- Emergency opening via 8 mm external spindle
- External release slot on request
- Also available in BB, PZ and knob/lever models
- Other colours on request
- Compatible drilling template available (art. no.: 5030026022)
- WC model with 5 mm, 6 mm, 7 mm or 8 mm square pin available on request
- Square spindle inset in handle



	Colour/Material	∅	▣	Door thickness	Model	Art. no.
D-110.Ku.DD.WC	White RAL 9010	20 mm	8 mm	25-30 mm	AV	5030025558
D-110.Ku.DD.WC	Dark grey RAL 7030/7038	20 mm	8 mm	25-30 mm	AV	5030025559