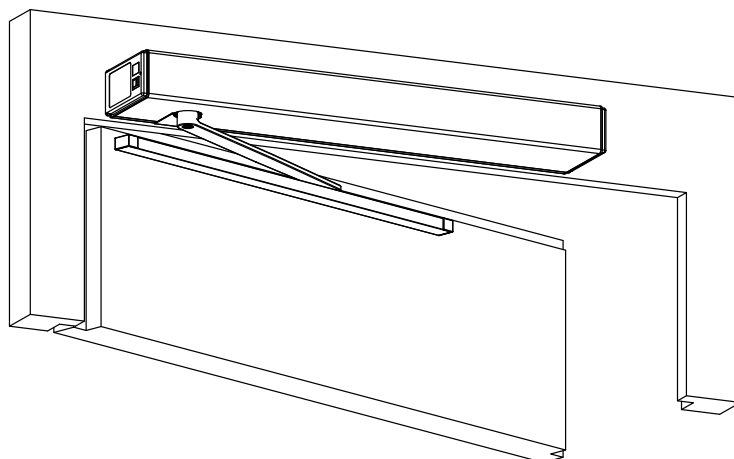


# Swing door drive mechanism

## ETS 42

Control booklet

Original



Distribution agent/  
After-sales service

Manufacturer

ECO Schulte GmbH & Co. KG  
Iserlohner Landstrasse 89  
D-58706 Menden  
Tel. +49 23 73 / 92 76-0  
Fax +49 23 73 / 92 76-40  
[www.eco-schulte.de](http://www.eco-schulte.de)

Com. no. .... Pos. .... Construction year .....

Operator .....

Operating place .....

0549-991/52a  
2019.11



# 1 GENERAL REMARKS

## 1.1 Target group / Competent specialists

All the activities described in the control booklet may only be carried out by competent specialists!

Competent specialists are persons who, based on their professional training and experience, have sufficient knowledge in the field of powered windows, doors and gates. They are sufficiently familiar with the relevant federal regulations for work protection and accident prevention, with the guidelines and generally recognized rules applicable for this field of technology which enables them to evaluate if powered windows, doors and gates can be safely operated.

Only the trained experts of the manufacturer or the supplier are counted among these persons.

## 1.2 Safety regulations

A professional installation as well as regular servicing (maintenance/checking) are decisive factors with regard to a safe operation of the automatic door. To guarantee the required safety level, only sufficiently qualified and expert staff members respectively duly authorized specialized companies are commissioned to install and service the automatic door systems (maintenance/checking).

In order to guarantee the safety of the users at all times, the installation must be checked with regard to its safe condition before the first commissioning and during normal operation, **at least once a year**, by a competent specialist. The correct service (maintenance/checking) must be confirmed by entering the date and signature into the control booklet. The control booklet has to be kept close to the installation, together with the operating instructions!

## 1.3 Service

This checkup work basically refers to visual and functional checking destined to evaluate the integrity, the condition and the efficiency of the components and safety devices (checking of the different elements as far as these are included in the installation).



Note:

The service must be carried out according to checklist in the Mounting and operating instructions 0549-990/52.



Warning:

To avoid jeopardizing the safety of persons, any defective safety elements may not be disconnected in order to continue the operation of the installation!

The competent specialist must make sure that the door installation has not been subject to any modifications which might cause dangerous situations:

- Check the door surroundings for any structural changes.
- Make sure that no objects (such as furniture, pallets, etc.) have been placed close to the door.



Attention:

In order to guarantee the availability of the installation, any elements showing signs of wear must be replaced as a preventive measure!

## 2 DATA OF THE INSTALLATION

### 2.1 Wing

Quantity	.....
Material	.....
Clearance width	..... mm
Clearance height	..... mm
Weight/wing	..... kg

### 2.2 Drive unit

Drive mechanism	Standard
Power transmission	Normal rods Sliding rods
Dimensions drive mechanism	Height 70 mm Width 730 mm Depth 125 mm
Weight drive mechanism	8,2 kg
Ambient temperature	-15...+50 °C
May only be used in dry rooms	max. relative humidity 85 %
Protection type	IP 20
Operating voltage	230 VAC (+10/-15 %), 50 Hz
Mains supply by customer	230 VAC (+10/-15 %), 50 Hz, 10/13 A
Power consumption drive mechanism	max. 350 W
Motor power rating	100 W
Power supply external consumer	24 VDC (±10 %), 1,4 A
Torque output shaft	56 Nm permanent 165 Nm max.
Lintel depth	normal rods max. 250 mm sliding rods pl -50/+150 mm ps -50/+150 mm
Door leaf opening angle	max. 105°
Door leaf weight	max. 150 kg
Door leaf width	730...1'100 mm (lintel mounting) see chapter "Application limits"
Opening speed	2,4...20 s adjustable (max. 40°/s)
Closing speed	2,4...20 s adjustable (max. 40°/s)
Range of the accelerating function (forceful closing) (without mains power)	≈10...15° not adjustable
Motor damping (without mains power) within the range of the accelerating function (forceful closing)	stepless adjustable (adjusting trimmer)
Hold-open time	0...60 s
Hold-open time Night	0...180 s

### 2.3 Control / Options

- |  |   |
|--|---|
| <input type="checkbox"/> D-BEDIX   | <input type="checkbox"/> Detector                     |
| <input type="checkbox"/> KOMBI-D-BEDIX   | <input type="checkbox"/> Radar                        |
| <input type="checkbox"/> Security detector side of door hinge (stop)             | <input type="checkbox"/> Push-button                  |
| <input type="checkbox"/> Security detector opposite side of door hinge (reverse) | <input type="checkbox"/> Key-operated pivoting switch |
| <input type="checkbox"/> Emergency stop button                                   | <input type="checkbox"/> Remote radio control         |
| <input type="checkbox"/> .....   | <input type="checkbox"/> .....                        |

### 2.4 Force measurements

Power off state

- Push open force on main closing edge max. 150 N

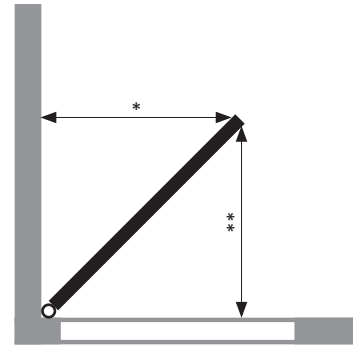
With safety sensor system

There is no need to measure the dynamic forces.

Without safety sensor system

Dynamic forces on main closing edge

Opening width*	50 mm	(400 N)	..... N
	300 mm	(700 N)	..... N
	500 mm	(1'400 N)	..... N
Closing width**	50 mm	(400 N)	..... N
	300 mm	(700 N)	..... N
	500 mm	(1'400 N)	..... N



Low Energy

If the width and weight of the door leaf have been correctly set during commissioning, there is no need to re-measure the static forces.

Static forces on main closing edge

- Opening force ..... N  
 Closing force ..... N

The verification must be carried out with suitable measuring equipment according to EN 16005!

### 2.5 Other information

.....  
 .....  
 .....

### 2.6 Modifications

Description	Dat./Vis.
.....	.....
.....	.....
.....	.....

## 2.7 Settings



### Warning:

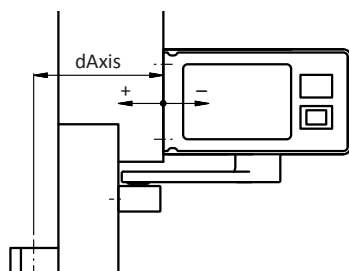
Is the protection of the danger areas (shearing, squeezing, crushing, pushing, drawing-in points) in compliance with the presently applicable prescriptions?

If the protection is found insufficient, a respective note must be entered in chapter "Test result" and the required action must be taken!

### 2.7.1 Motional parameters (PARAMETER)

Parameter	Description	Setting range	Default	Adjusting		
Vo	Opening speed (velocity open)	0...14 (5...40°/s)	6			
Vc	Closing speed (velocity close)	0...14 (5...40°/s)	4			
TOEx	Hold-open time opening element inside/outside (time hold opening element inside/outside)	0...60 s	3 s			
TKey	Hold-open time Key (time hold opening element Key)	0...180 s	5 s			
TDelay	Starting delay (time delay lock)	0,0...4,0 s	0,2 s			
FDelay	Relieving force during unlocking (force delay) ⇒ only effective if TDelay is > 0	0,0...7,0 A	OFF			
TLock	Door rectification time (time press close)	0,0...4,0 s	0,5 s			
FLock	Pressing force during locking (force lock) ⇒ only effective if TLock is > 0	0,0...7,0 A	2,0 A			
FSlam	Accelerating function (force slam)	0...10	OFF			
FWind	Obstacle detection optimized for exterior doors (force wind)	OFF OPEN CLOSE BOTH	OFF			
Fo	Opening force (force open)	0...9	4			
Fc	Closing force (force close)	0...9	4			
Foh	Hold-open force (force open hold)	0...9	0			
Fch	Interlocking force (force close hold) ⇒ automatically programs FLock and FDelay if these are 0	0,0...3,5 A	0			
LowEN	Low-energy operation TOEx and TKey ⇒ Default 5 s ⇒ can be changed.	OFF BOTH CLOSE OPEN	OFF			
Width	Width door leaf in 10 cm steps (only visible if Low Energy = ON)	90...110 cm	100 cm			
Weight	Weight door leaf in 50 kg steps (only visible if Low Energy = ON)	50...150 kg	100 kg			
Ao	Door leaf opening angle (angle open) If the opening angle is changed during the operating mode OPEN, the operating mode MANUAL needs to be selected for closing the door.	20...(190°) Rod depending	95° *			
Rod	Type of rod assembly (Rod)	Lintel mounting Lintel mounting Lintel mounting Leaf mounting Leaf mounting Leaf mounting	Normal rods Sliding rods Sliding rods Sliding rods Sliding rods Normal rods	pushing fonction pulling fonction pushing fonction pushing fonction pulling fonction pulling fonction	STD-PH SLI-PL SLI-PH WIN-PH WIN-PL WIN-ST	STD-PH *
Invers	Inverse application In the event of a power failure/error, the door leaf is opened by spring power from any position (unless it has not been locked).	OFF ON	OFF *			
dAxis	Distance between rotation axis of the door hinges and the mounting level of the drive mechanism (distance Axis). dAxis is an approximate value. Depending on the installation situation, dAxis may have to be adapted.	-8...+25 cm Rod depending	0/+8 cm Rod dep. *			
FTic	Closing force in closed position before Teach (only visible if Inverse is ON)	5...14 A	5 A			

not yet available



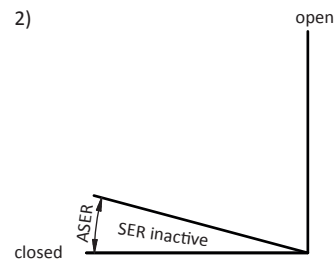
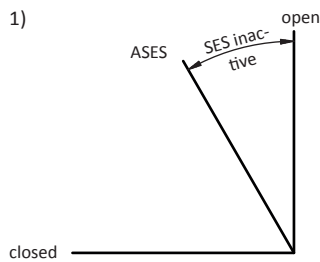
\* Note:  
A renewed setting-up procedure (Teach) is required.

## 2.7.2 Configuration (CONFIG)

Parameter	Description	Setting range	Default	Adjusting
Servo	Support for manual push to open. The key opens automatically. Five-position adjustment, depending on the width and weight of the door leaf.	OFF 1...5	OFF	
APuGo	Triggering angle Push&Go (angle push&go)	OFF, 2...10°	OFF	
ASES	1) Suppression point Safety Element stop (angle safety element stop). If Ao is changed, ASES is automatically set to Ao.	45°...Ao	95° Ao depending (95°)	
ASER	2) Suppression range of the safety element reversing (angle safety element reversing)	0...60°	0°	
SeOpCo	Persistent opening (safety element open continue). After a Safety Element Stop during the opening procedure, the door shall continue its opening move (instead of closing), as soon as SES is activated.	OFF ON	OFF	
SeOpTi	Waiting time till the drive mechanism closes even if SeOpCo = ON (safety element opening time), in the event that a fixed object blocks the door (only visible if SeOpCo = ON).	PERMAN 1...60 s	20 s	
SESClo	Safety element Stop activated/deactivated during the closing motion (safety element stop closing)	ACTIVE INACTI	INACTI	
EMY-IN	Configuration of the Emergency terminal (break contact) (emergency input)	CL-SPR (spring) STOP OPEN CL-MOT (motor)	CL-SPR	
OExStp	Step-by-step control function (opening element step)	OFF OEI OEO KEY RADIO	OFF	
RC 0.1	Parametrizable relay output 1 on optional PCB 1 (relay contact) (only visible if relay PCB 0 is plugged in)	CLOSED OPENING	CLOSED	
RC 0.2	Parametrizable relay output 2 on optional PCB 1 (relay contact) (only visible if relay PCB 0 is plugged in)	OPEN CLOSING	OPEN	
RC 0.3	Parametrizable relay output 3 on optional PCB 1 (relay contact) (only visible if relay PCB 0 is plugged in)	ERROR PSAUTO PSNIGHT	ERROR	
RC 0.4	Parametrizable relay output 4 on optional PCB 1 (relay contact) (only visible if relay PCB 0 is plugged in)	PSEXIT PSOPEN	GONG	
RC 1.1	Parametrizable relay output 1 on optional PCB 2 (relay contact) (only visible if relay PCB 1 is plugged in)	PSMANU GONG	OPENING	
RC 1.2	Parametrizable relay output 2 on optional PCB 2 (relay contact) (only visible if relay PCB 1 is plugged in)	LOCKED SIX30S	CLOSING	
RC 1.3	Parametrizable relay output 3 on optional PCB 2 (relay contact) (only visible if relay PCB 1 is plugged in)	EMY_AL	PSAUTO	
RC 1.4	Parametrizable relay output 4 on optional PCB 2 (relay contact) (only visible if relay PCB 1 is plugged in)		LOCKED	
Unlock	Impulse/Permanent unlocking (impulse unlock)	IMPULS PERMAN	IMPULS	
UnloCl	Engage (unlock) and secure the motorised lock before closing, if the door leaf is to be closed.	INACTI PERMAN	INACTI	
EL-Fb	Return signal of the electric lock (electric lock feed back) N.O. ⇒ Contact open if in the unlocked state (-), closed if in the locked state (+) N.C. ⇒ Contact open in the locked state (+), closed in the unlocked state (-) (+) and (-) indicate the status in the diagnostic menu.	OFF N.O. N.C.	OFF	
LockAU	Operating mode AUTOMATIC locked (locked automat) (only visible if Unlock = Perman)	UNLOCK LOCK	UNLOCK	
LockEX	Operating mode EXIT locked (locked exit) (only visible if Unlock = Perman)	UNLOCK LOCK	LOCK	
LockMA	Operating mode MANUAL locked (locked manual) (only visible if Unlock = Perman)	UNLOCK LOCK	UNLOCK	
LcdDir	Orientation of the display (LCD direction)	0...1	0	
MovCon	Endurance test Open/Close (moving continuous)	OFF ON-FLT ON-PRM	OFF	
OExMAN	Acceptance of opening commands after a manual door opening (only if APuGo = OFF) (opening element inside/outside manual)	OFF ON	OFF	
OEOSIR	Safety device on opposite side to door hinge as opening element. Note: This parameter must be set to OFF for teaching-in of the LZR-FLATSCAN.	OFF ON	OFF	

not yet available

PSKIZe	Zero position of the program setting (operating mode); fixed program position that can only be changed by means of the terminals on the control unit (program selector key in the side cover inactive). Use for external program switch (only four terminals) or for controlling the program positions via the terminals on the control unit. (program selection terminal zero)	No Act PSOpen PSHand PSAuto PSExit PSNigt	No Act	
SCBloc	Lock the program selector key in the side cover (side cover block) Toggle = Lock/unlock (press active program key during at least 5 seconds). Time = Lock (automatically after 5 minutes without any activation of the program keys), un- locking (press active program key during at least 5 seconds).	OFF Toggle Time	OFF	
Buzzer	The buzzer signals the door leaf movement (persons with amblyopia/without hindrance)	OFF BOTH OPEN CLOSE	OFF	



### 2.7.3 Installations with multiple door leaves (DOUBLE DOOR)

Parameter	Description	Setting range	Default	Adjusting
DubleD	Closing sequence role (Master/Slave) and interlock side (A/B)	OFF MastrA SlaveA BastrB SlaveB	OFF	
AoSeq	Current delay angle for opening sequence control (Slave) (only visible if DupleD is active)	0...110°	20°	
AcSeq	Current delay angle for closing sequence control (Master) (only visible if DupleD is active)	0...110°	20°	
InterL	Interlock	OFF SideA SideB	OFF	
ILAuto	Interlock mode Operating mode AUTOMATIC (only visible if InterL is active)	Inacti Active	Active	
ILExit	Interlock mode Operating mode EXIT (only visible if InterL is active)	Inacti Active	Active	
ILNigt	Interlock mode Operating mode NIGHT (only visible if InterL is active)	Inacti Active	Active	
ILType	Safety The two doors function as an interlock (in all operating modes). The second door only opens when the first one is closed. This applies to both doors. Spital Automatic sequence ⇒ whenever a door opening command is issued, the door receiving the command is opened. Once it has closed again, the second door opens automatically. NL The second door only opens when the first one is closed, or after the override period has elapsed.	Safety Spital NL	Safety	
TOverd	Only visible in ILType NL When the override period has elapsed, the interlock function is cancelled. Once both doors are closed, the interlock function is activated.	OFF 1...60 s	OFF	
RdrOEI	OFF OEO/OEI radar function activates normally. The door closes if both are inactive. ON The OEO deactivates the (OEI) radar inside smaller interlocks to prevent it from keeping the door open.	OFF ON	OFF	
ILCdRc	Active Open commands are temporarily stored, and then carried out as soon as the second door is closed. Inactive Open commands are not carried out until the second door is closed.	Active Inacti	Active	





Date	Test result and required measures (if necessary with reference to any added documents)	Tester Visa company	Shortcomings	
			Acknowledgem. Visa operator	Elimination Date/Visa

